



Adresse / Address

Datum / Date

Kontakt / Contact

11 / 2015

Ledermann GmbH & Co. KG  
Willi-Ledermann-Str. 1  
D-72160 Horb a.N.

Tel. +49 (0) 74 51 / 93 - 0  
info@leuco.com  
www.leuco.com

Betreff / Subject

Seite / Page

## LEUCO heat shrinking chuck - precision clamping element with low constraining contour

01

Inhalt / Content

The LEUCO heat shrink-fit chuck completes the LEUCO program of highly precise clamping elements for stationary machines.  
The clamping of the shank of this shrink-fit chuck is made by means of thermal expansion of the hot-forming steel.

Bildmaterial / Imagery



### Machine / Application

- | For use on stationary machines with automatic tool changer
- | For precise clamping of shank-type tools with cylindrical shank, especially when what matters are high retention forces and low clamping tolerances.

### Design

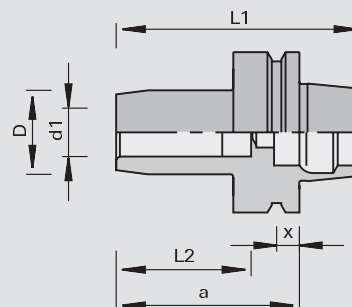
- | Concentric and repeating accuracy <0,003 mm
- | Slim design
- | Clamping and unclamping in all conventional shrink-fit devices
- | For right- and lefthand rotation

### Advantages

- | Highly precise clamping element for high cutting quality and long edge lives
- | For use up to  $n = 30,000$  m/min
- | High process stability
- | Very low imbalance spares the machine spindle
- | Low constraining contour means good accessibility e.g. in the case of 5 axis applications

### LEUCO heat shrink-fit chuck program

$\emptyset D$ [mm]	$\emptyset d$ [mm]	$\emptyset d1$ [mm]	L 2 [mm]	L 1 [mm]	a	x	weight [kg]	Ident-No.
26	HSK 63F	10	41	100	75	18	0.84	183081
28	HSK 63F	12	47	100	75	18	0.83	183082
28	HSK 63F	14	47	100	75	18	0.87	183083
28	HSK 63F	16	51	100	75	18	0.85	183084
30	HSK 63F	18	51	100	75	18	0.96	183085
30	HSK 63F	20	51	100	75	18	0.93	183086
30	HSK 63F	25	51	100	75	18	0.86	183087
45	HSK 63F	25	52	185	160	18	1.94	185520



**LEUCO**

www.leuco.com