



Adresse / Address

Datum / Date

Kontakt / Contact

07/2013

Ledermann GmbH & Co. KG
Willi-Ledermann-Str. 1
D-72160 Horb a.N.

Tel. +49 (0) 74 51 / 93 - 0
info@leuco.com
www.leuco.com

Betreff / Subject

LEUCO hydraulic extension chuck „ps-System“: Precise clamping, simple handling

Seite / Page

01

Inhalt / Content

The high-precision hydraulic extension chuck „ps-System“ stands for simple handling on CNC stationary machines.
Clamping of the shank by means of impressurement of the hydraulic fluid inside of the system.

Machine

I For use on CNC stationary machines with automatic tool changer

Application

I For precise clamping of shank-type tools with cylindrical shank without additional clamping device

Design

- I Concentric and repeating accuracy 0,006 – 0,008 mm
- I Simple clamping of shank and length adjustment by means of a screwdriver *
- I For right- and lefthand rotation
- I Balancing quality G 2.5

Advantages

- I For use up to $n = 30,000 \text{ min}^{-1}$
- I High process stability
- I Long edge lives and excellent cutting quality
- I Spares the machine spindle
- I Absorbs vibrations

LEUCO hydraulic extension chuck „ps-System“ program

Ød1min	Lmin	L2	Ø d	Ø D	L1	a	x	weight	Ident-No.
10	31	41	HSK 63F 30	105	80	18	1,2	184725	
12	36	46	HSK 63F 32	105	80	18	1,16	184306	
16	39	49	HSK 63F 38	105	80	18	1,20	184307	
20	41	51	HSK 63F 52,5	105	80	18	1,30	184308	
25	47	57	HSK 63F 52,5	109	84	18	1,28	184309	
[mm]	[mm]	[mm]	[mm]	[mm]	[mm]	[mm]	[mm]	[kg]	
3/8	31	41	HSK 63F 30	105	80	18	1,2	184724	
1/2	36	47,5	HSK 63F 32	105	80	18	1,2	184726	
[zoll]	[mm]	[mm]	[mm]	[mm]	[mm]	[mm]	[mm]	[kg]	

Spare parts	Dimensions	Compatible with	Class-No.	Ident-No.
screw driver	SW4x100	184306, 184724, 184725, 184726	985730	166091
screw driver	SW5x150 [mm]	184307, 184308, 184309	985730	168703

*screw driver is not included

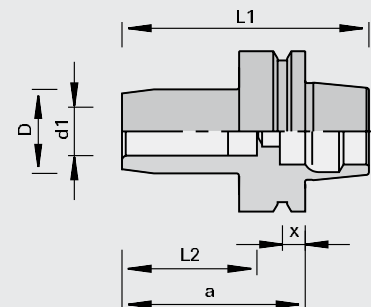
Bildmaterial / Imagery

LEUCO

ps-System



The ps-System requires only a key for precise clamping of shank-type tools



LEUCO

www.leuco.com